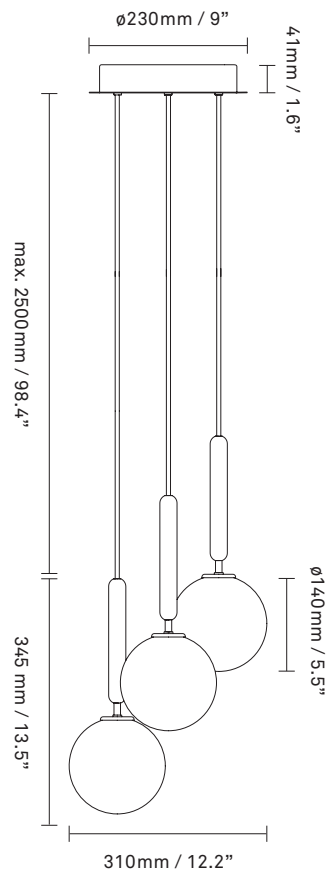


NUURA



MIIRA 3
brass / opal

Design: Sofie Refer, 2020



Miira 3 in brass finish with mouth-blown opal white glass. Incl. Ceiling plate. Ceiling plate fits US 3½" pancake bracket.

Explore the rest of the **Miira collection** on our website, [here](#)

Product no.: EU - 2031004 / US - 3031004

Certifications: CE, IP20, Class I

Type: Chandelier - indoor

For information about IP ratings, click [here](#)

Colour: Glass: opal white / Metal: brass
Cable: black

Cleaning: Use a soft dry cloth to clean the product.
Do not use household cleaners.

Materials: Anodized metal, mouth-blown glass,
fabric covered cable

Light source: Socket: G9
Max wattage: 7W LED
Voltage (V): 220-240V / 120V

Dimensions: 310mm / 12.2in x 345mm / 13.5in
glass: 140mm / 5.5in
Cable length: max. 2500mm / 98.4in

See recommended light source [here](#)

Weight: Armature + glass: 3290g

Light sources not included

Packaging: Dimensions: L: 600mm / 23.6in x
W: 400mm / 15.7in x H: 400mm / 15.7in
Weight: 1710g
Total weight incl. product: 5000g
Number of parcels: 4
Material: Brown cardboard

**Dimmable if installed with appropriate dimmable LED
light source(s) suitable for your dimmer circuit.**

Light source can be added to delivery on request or via our webshop at [nuura.com](#).

Works with appropriate lighting control module. Module can be added to delivery on request.

Find our recommendations [here](#)