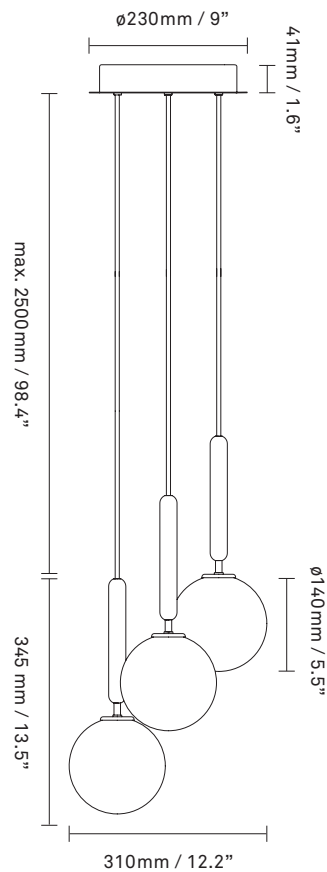


NUURA



MIIRA 3
brass / optic clear

Design: Sofie Refer, 2020



Miira 3 in brass finish with mouth-blown optic clear glass. Incl. Ceiling plate. Ceiling plate fits US 3½" pancake bracket.

Explore the rest of the **Miira collection** on our website, [here](#)

Product no.: EU - 2031003 / US - 3031003

Certifications: CE, IP20, Class I

Type: Chandelier - indoor

For information about IP ratings, click [here](#)

Colour: Glass: optic clear / Metal: brass
Cable: black

Cleaning: Use a soft dry cloth to clean the product.
Do not use household cleaners.

Materials: Anodized metal, mouth-blown glass,
fabric covered cable

Light source: Socket: G9
Max wattage: 7W LED
Voltage (V): 220-240V / 120V

Dimensions: 310mm / 12.2in x 345mm / 13.5in
glass: 140mm / 5.5in
Cable length: max. 2500mm / 98.4in

See recommended light source [here](#)

Weight: Armature + glass: 3290g

Light sources not included

Packaging: Dimensions: L: 600mm / 23.6in x
W: 400mm / 15.7in x H: 400mm / 15.7in
Weight: 1710g
Total weight incl. product: 5000g
Number of parcels: 4
Material: Brown cardboard

**Dimmable if installed with appropriate dimmable LED
light source(s) suitable for your dimmer circuit.**

Light source can be added to delivery on request or via our webshop at
nuura.com.

Works with appropriate lighting control module. Module can be added to
delivery on request.

Find our recommendations [here](#)