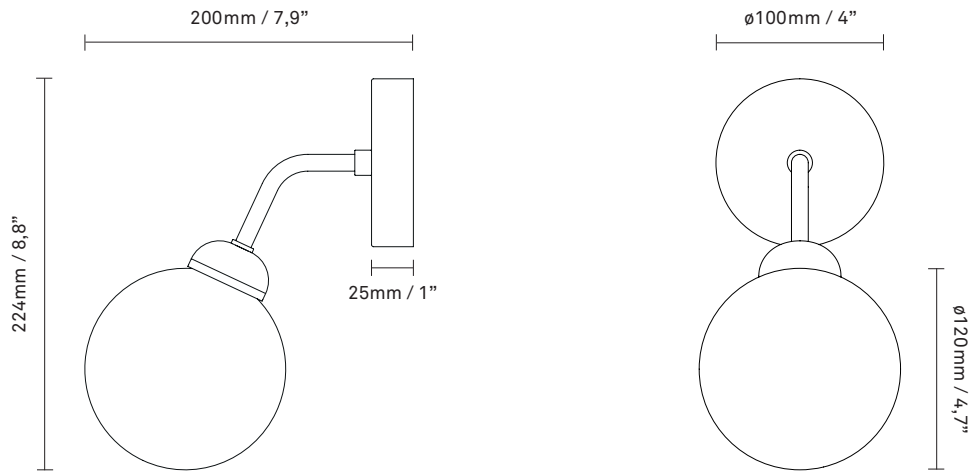


NUURA



APIALES WALL
brushed brass / opal

Design: Sofie Refer, 2021



Apiales Wall is available with a classic wall plate or as a hard-wired version, to be connected directly to the electrical wiring in the wall. Wall plate fits US 3½" pancake bracket.

Explore the rest of the **Apiales collection** on our website, [here](#)

Product no.: EU - 2055001 / US - 3055001

Certifications: CE, ETL, IP20, Class I

Type: Wall light - Indoor

For information about IP ratings, click [here](#)

Colour: Glass: opal white / Metal: brushed brass

Cleaning: Use a soft dry cloth to clean the product.
Do not use household cleaners.

Materials: Anodized metal, mouth-blown glass

Dimensions: 224mm / 8,8in x 200mm / 7,9in
Glass: \varnothing 120 / 4,7in

Light source: Socket: G9
Max wattage: 5W LED
Voltage (V): 220-240V / 120V

Weight: Armature + glass: 360g

Packaging: Dimensions: L: 320mm / 12,6in x W:
170mm / 6,7in x H: 150mm / 5,9in
Weight: 260g
Total weight incl. product: 620g
Number of parcels: 1
Material: Brown cardboard

See recommended light source [here](#)

Light source not included

Dimmable if installed with appropriate dimmable LED light source(s) suitable for your dimmer circuit.

Light source can be added to delivery on request or via our webshop [nuura.com](#).

Works with appropriate lighting control module. Module can be added to delivery on request.

Find our recommendations [here](#)