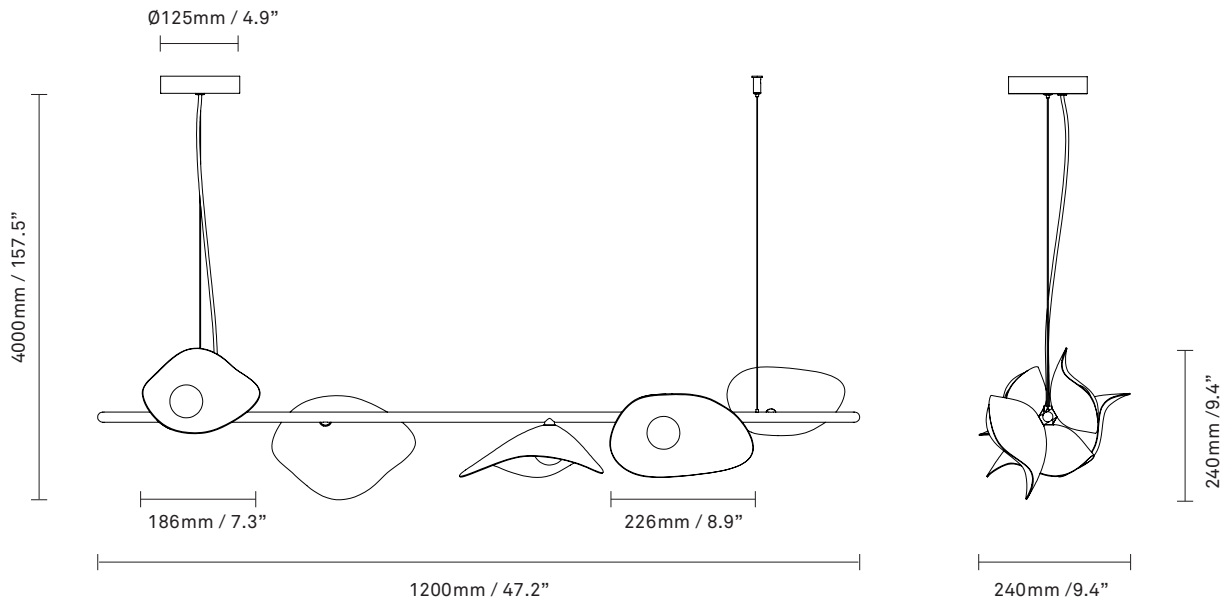


NUURA



FLORII 5 LINEAR
dark bronze / white

Design: Jessica Vedel, 2024



Florii 5 Linear is a suspension lamp with integrated LED made for oblong areas where a warm and inviting glow is needed the most.

Explore the rest of the **Florii collection** on our website, [here](#)

Product no.: EU - 2121002

Type: Chandelier - indoor

Colour: Metal: dark broze, white

Materials: Powder coated metal, glass

Dimensions: 1200mm / 47.2" x 240mm /9.4"
Cable length: max 4000mm / 157.5in

Weight: 1930g

Packaging: Dimensions: L: 1250mm /49.2" x
W: 220mm/ 8.7" x H: 180mm / 7.4"
Weight: 2290g
Total weight incl. product: 4220g
Number of parcels: 1
Material: Brown cardboard

Certifications: CE, UKCA, IP20, Class II

For information about IP ratings, click [here](#)

Cleaning: Use a soft dry cloth to clean the product.
Do not use household cleaners.

Light source: Input voltage: 230 Vac / 50 Hz
System wattage: 17 W
Replaceable integrated LED
LED wattage: 3 W
Energy class F
Nominal LED efficacy: 93 lm / W
Estimated lifetime: 29,000h (L90)

Photometric: Luminous flux: 1540 lm
CCT.: 2700 K
SDCM.: < 3
CRI: > 90 Ra

Phase dimmable (mains dimm) with most LED compatible TRIAC dimmers.

Works with appropriate lighting control module. Module can be added to delivery on request.

Find our recommendations [here](#)