

Safety instructions

Important! Before commencing installation work disconnect the main cable from the power supply - remove fuse or turn switch to "OFF"!

1. Installation should be carried out in accordance with the local safety regulations.
2. In order to prevent damage, please check walls for cables before drilling holes.
3. Please ensure that all electrical connections (even preassembled lamps) are screwed tightly or are fully inserted as good contact is essential for a long life-span at high currents. Please check for tight connections after changing or adjusting lamps. Screwed connections must be tightened after 20 minutes.
4. Please do not place objects on your system (e.g. for decorative purposes) if they were not delivered with the system.
5. The lamps get very hot when in use. Please allow lamps to cool down before touching.
6. Do not change lamps or spots when switched on.
7. System should not be enlarged with additional lamps.
8. We reserve the right to technical alterations.

Please keep these instructions.

Europe: Integrated LED - Voltage: 230 VAC

North America: Integrated LED - Voltage: 120 VAC

Use of a dimmer is highly recommended

(Must be LED compatible.)

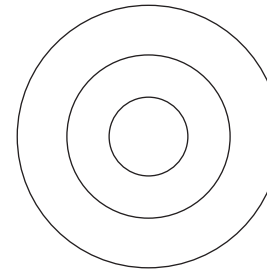
The glass used for this lamp is hand-blown.

Only 1st. quality has been chosen.

Air bubbles and variations in thickness and colour is normal.

Blossi Wall/Ceiling

Assembly Instructions



NUURA

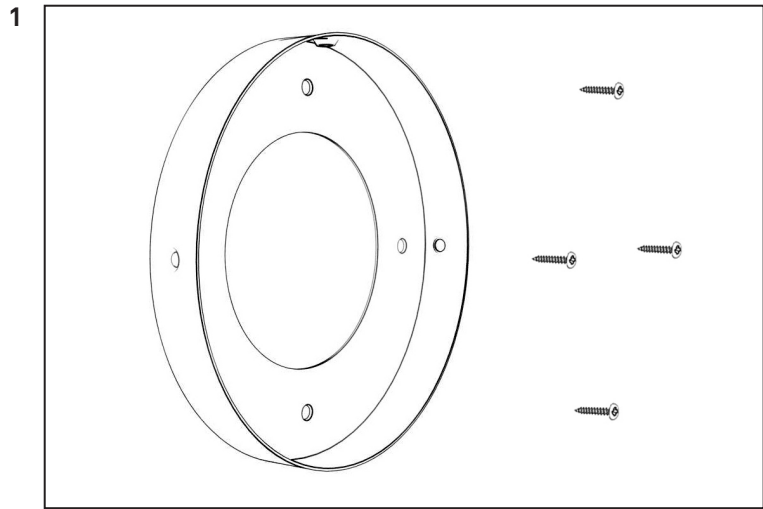
www.nuura.com
info@nuura.com

© 2018 All rights reserved

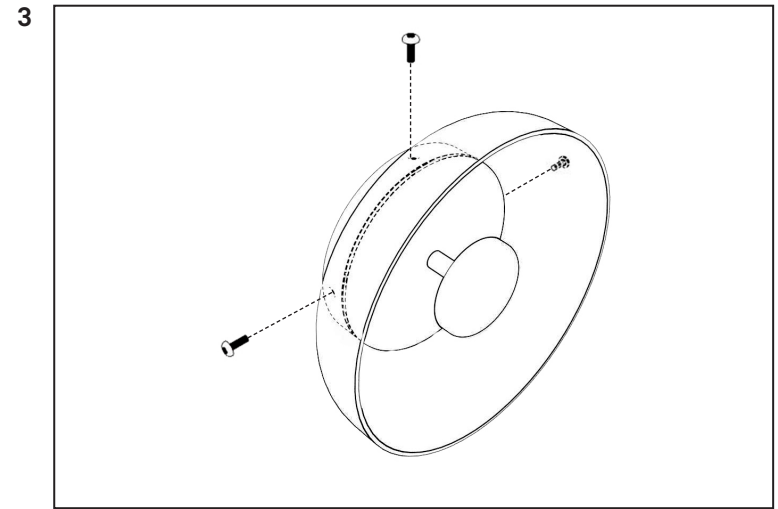


NUURA

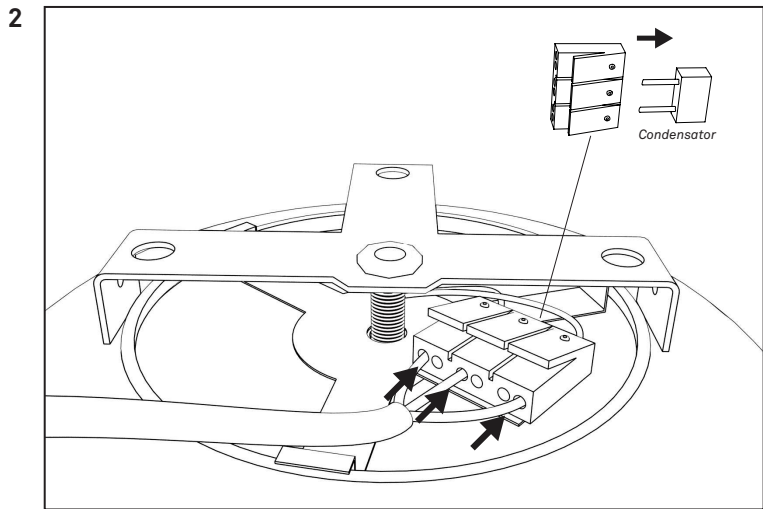
© 2018 All rights reserved



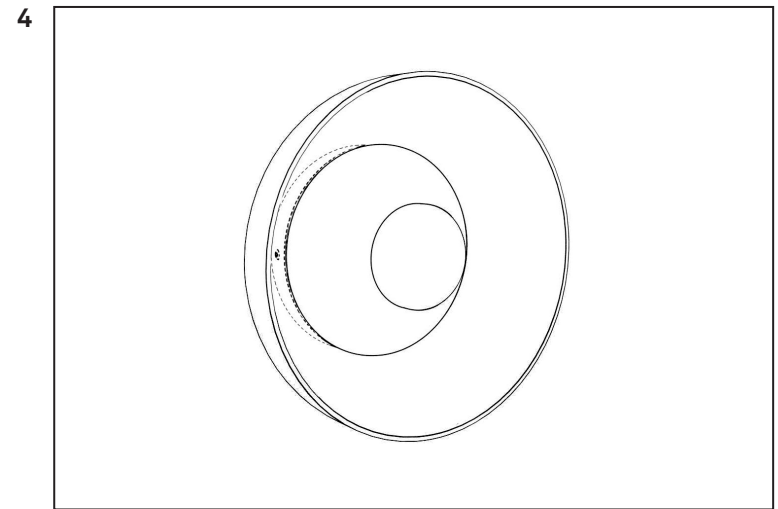
Mount the mounting plate to the wall or ceiling. Please make sure it is fixated properly.



Secure the light fixture with the 3 screws.



Install the power cable by leading it into the cable connector.
NB: If you plan to use a dimmer please remove the condensator from the cable connector to avoid double resistance.



Completed.