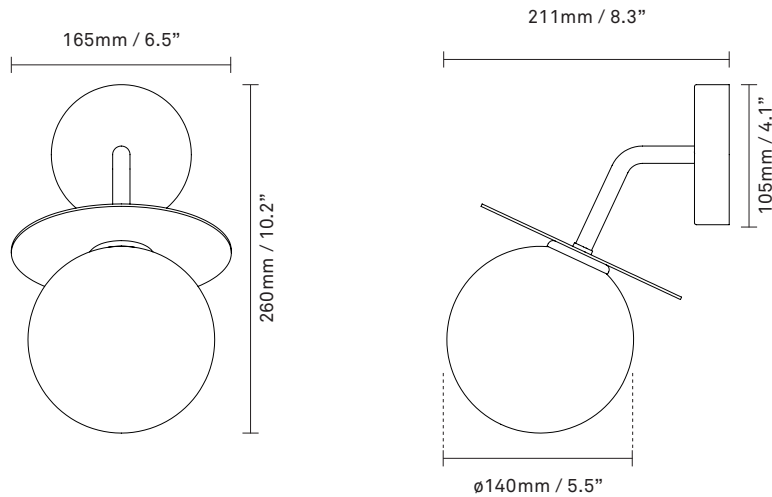


# NUURA



**LIILA WALL OUTDOOR**  
**black / optic clear**

Design: Sofie Refer, 2022



**Liila Wall Outdoor** is an extension of the Liila collection and designed to be mounted outside on exterior walls. The outdoor lamp is constructed with a wall-mounted backplate and a slender arm to support the thin, round metal sheet and mouth-blown glass globe from which the light is reflected. Liila Wall Outdoor in black metal finish and optic clear glass adds a minimal, organic detail to the home.

Explore the rest of the Liila collection on our website, [here](#)

**Product no.:** EU - 2045004

**Certifications:** CE, IP54, Class I

**Type:** Wall light - outdoor

**Cleaning:** Use a soft dry cloth to clean the product.  
Do not use household cleaners.

**Colour:** Glass: optic clear / Metal: black

**Materials:** Powder-coated metal, mouth-blown glass

**Light source:** Socket: G9  
Max wattage: 7W LED  
Voltage (V): 220-240V / 120V

**Dimensions:** 165mm / 6.5in x 1260mm / 10.2in  
Ceiling plate: 105mm / 4.1in  
Glass:  $\varnothing$ 140 / 5.5in

**See recommended light source [here](#)**

**Weight:** Armature + glass: 730g

**Light sources not included**

**Packaging:** Dimensions: L: 375mm / 14.7in x  
W: 180mm / 7in x H: 190mm / 7.5in  
Weight: 450g  
Total weight incl. product: 1180g  
Number of parcels: 1  
Material: Brown cardboard

**Dimmable if installed with appropriate dimmable LED light source(s) suitable for your dimmer circuit.**

Light source can be added to delivery on request or via our webshop at [nuura.com](#).

Works with appropriate lighting control module. Module can be added to delivery on request.

**Find our recommendations [here](#)**